

INDEX

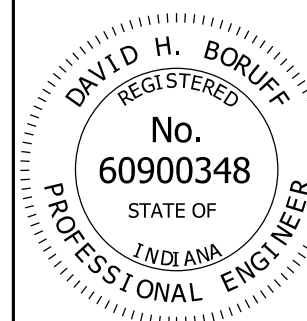
SHEET NO.	SUBJECT
1	Wide-Flange Sign Support and Panel Sign Drawing Index
2	Wide-Flange Sign Support, Placement and Post Spacing
3	Wide-Flange Sign Support, Base Connection
4	Wide-Flange Sign Support, Base Connection Dimensions
5	Wide-Flange Sign Support, Fuse/Hinge Plate Connection
6	Panel Sign Connection Details
7	Panel Sign Post Clip
8	Wide-Flange Sign Support, Post Selection Table, Clear Height=8 ft
9	Wide-Flange Sign Support, Post Selection Table, Clear Height=10 ft
10	Wide-Flange Sign Support, Post Selection Table, Clear Height=12 ft
11	Wide-Flange Sign Support, Post Selection Table, Clear Height=14 ft
12	Wide-Flange Sign Support, Post Selection Table, Clear Height=16 ft
13	Wide-Flange Sign Support, Post Selection Table, Clear Height=18 ft
14	Wide-Flange Sign Support, Post Selection Table, Clear Height=20 ft
15	Wide-Flange Sign Support, Post Selection Table, Clear Height=22 ft
16	Wide-Flange Sign Support, Foundation

INDIANA DEPARTMENT OF TRANSPORTATION

WIDE-FLANGE SIGN SUPPORT AND PANEL SIGN
DRAWING INDEX

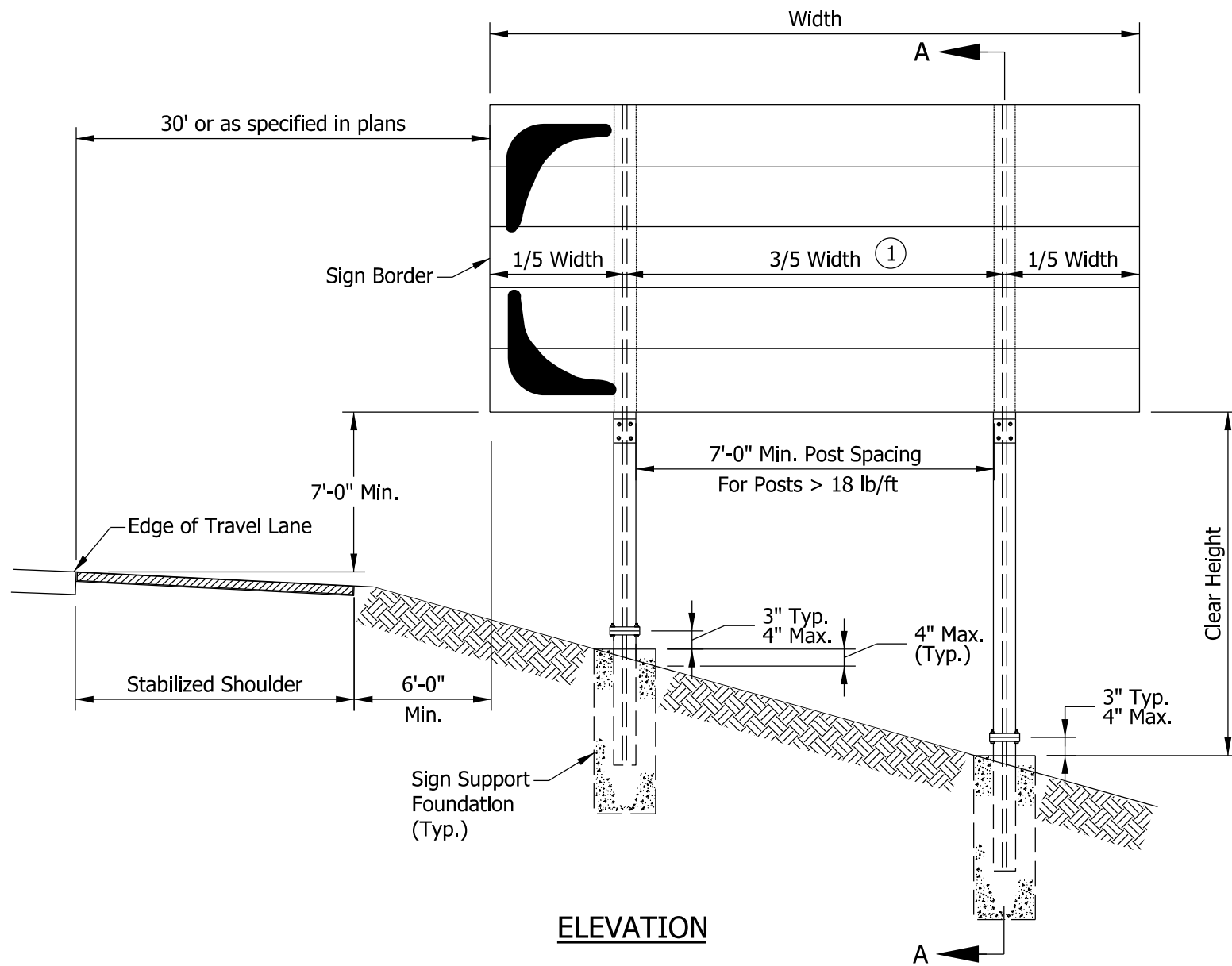
SEPTEMBER 2017

STANDARD DRAWING NO. E 802-SNGP-01

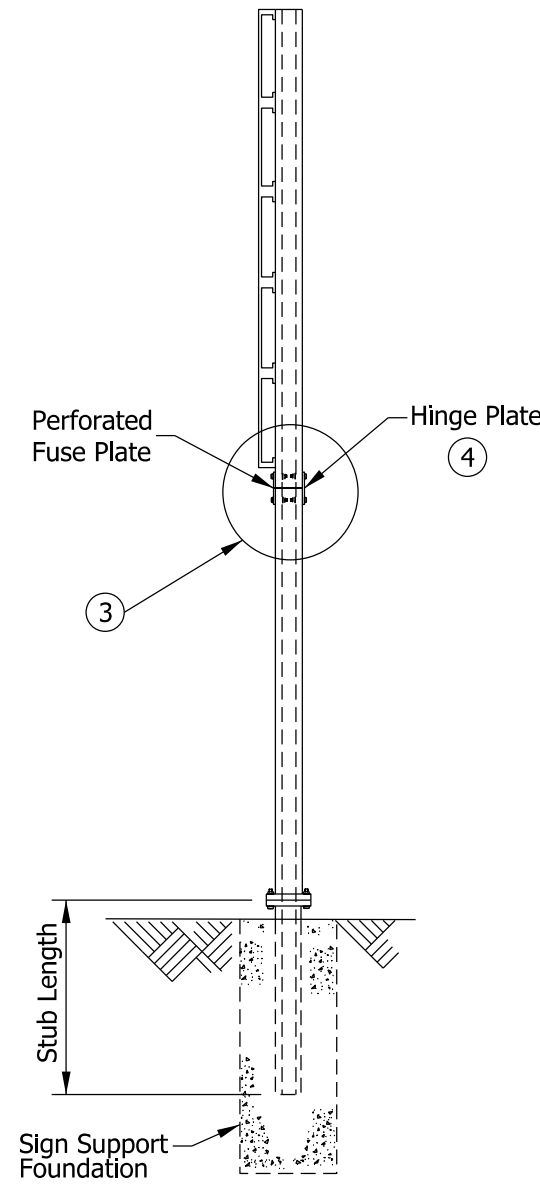


/s/ David H. Boruff 03/17/17
DESIGN STANDARDS ENGINEER DATE

/s/ John Leckie 04/10/17
CHIEF ENGINEER DATE



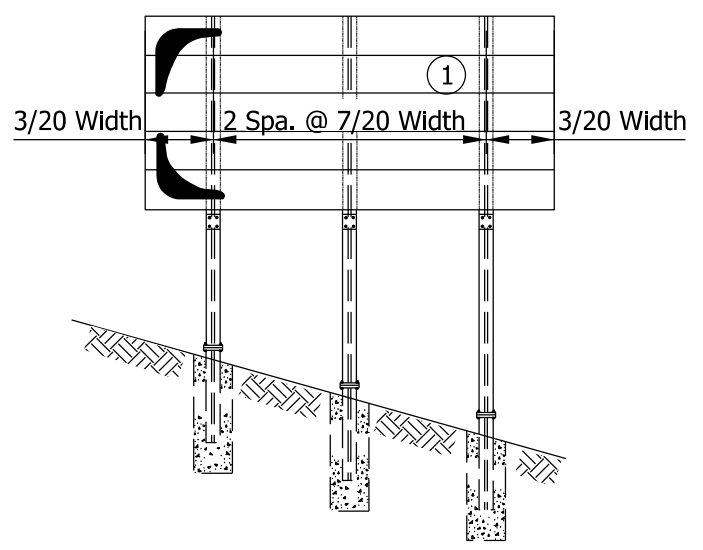
ELEVATION



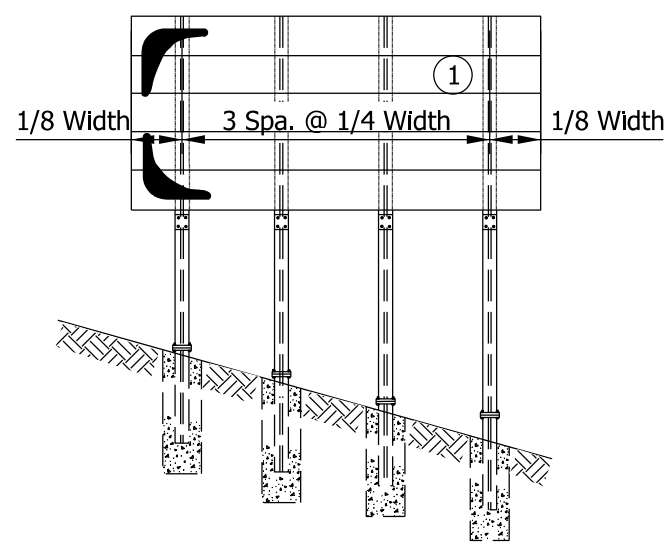
SECTION A-A

NOTES:

- ① For beams that have a unit weight greater than 18 lbs per foot the minimum beam spacing shall be 7 ft.
- 2. For sign post clip details see Standard Drawing E 802-SNGP-07.
- ③ See Detail A on Standard Drawing E 802-SNGP-05.
- ④ See keynote ③ on Standard Drawing E 802-SNGP-05.
- 5. Clear height is based on the longest post.

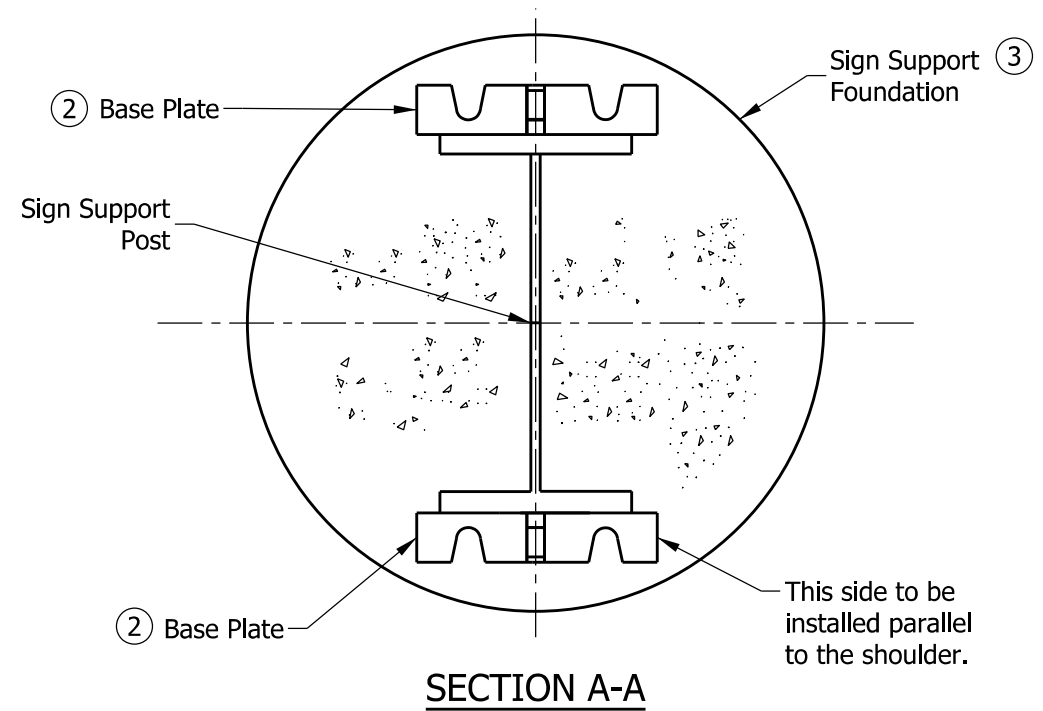


3 BEAM SPACING

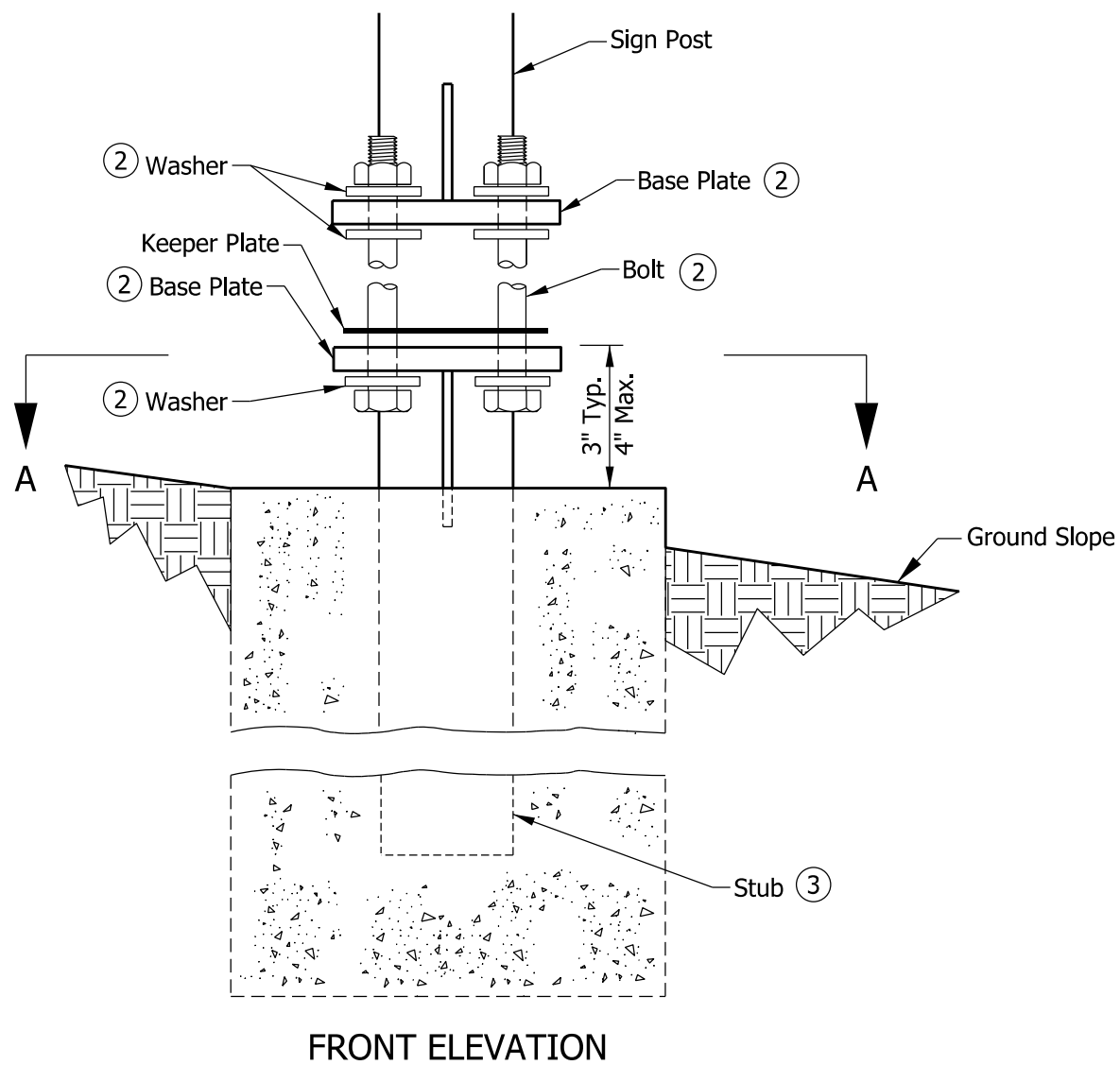


4 BEAM SPACING

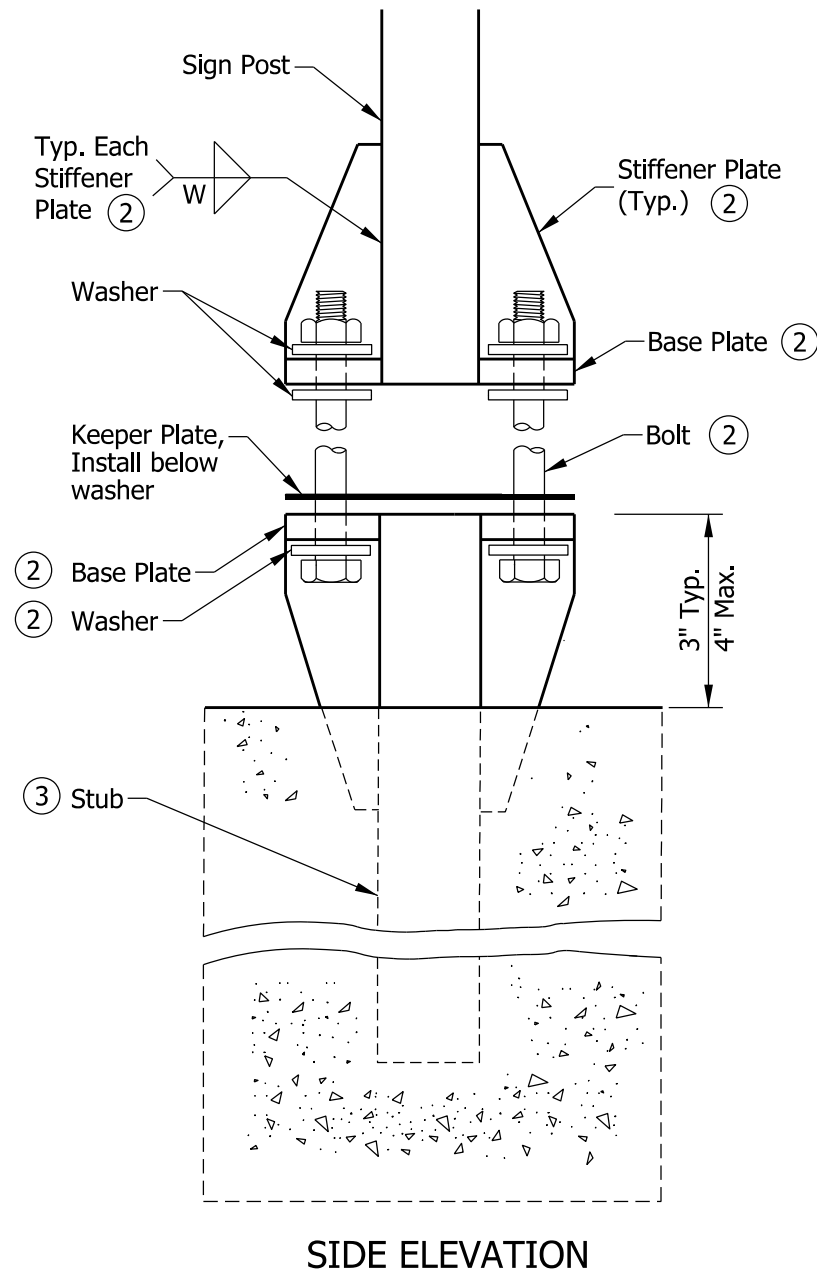
INDIANA DEPARTMENT OF TRANSPORTATION											
WIDE FLANGE SIGN SUPPORT PLACEMENT AND POST SPACING											
SEPTEMBER 2017											
STANDARD DRAWING NO. E 802-SNGP-02											
	<table style="width: 100%; border: none;"> <tr> <td style="border: none;">/s/ <i>David H. Boruff</i></td> <td style="border: none; text-align: right;">03/17/17</td> </tr> <tr> <td style="border: none;">DESIGN STANDARDS ENGINEER</td> <td style="border: none; text-align: right;">DATE</td> </tr> <tr> <td colspan="2" style="border: none;"> </td> </tr> <tr> <td style="border: none;">/s/ <i>John Leckie</i></td> <td style="border: none; text-align: right;">04/10/17</td> </tr> <tr> <td style="border: none;">CHIEF ENGINEER</td> <td style="border: none; text-align: right;">DATE</td> </tr> </table>	/s/ <i>David H. Boruff</i>	03/17/17	DESIGN STANDARDS ENGINEER	DATE			/s/ <i>John Leckie</i>	04/10/17	CHIEF ENGINEER	DATE
/s/ <i>David H. Boruff</i>	03/17/17										
DESIGN STANDARDS ENGINEER	DATE										
/s/ <i>John Leckie</i>	04/10/17										
CHIEF ENGINEER	DATE										



SECTION A-A



FRONT ELEVATION



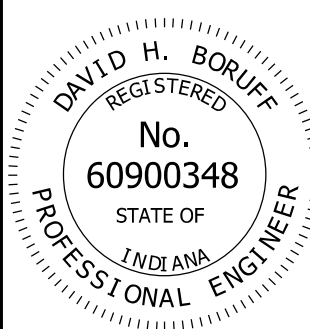
SIDE ELEVATION

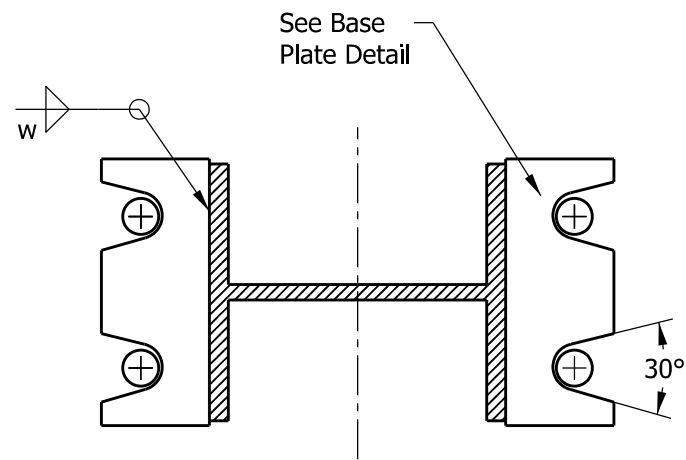
NOTES:

1. Stubs shall be plumb and base plate shall be leveled and physically held level until the concrete sets.
- (2) See Standard Drawing E 802-SNGP-04 for base plate and stiffener plate details, including weld thickness and bolt diameter.
- (3) See Foundation Data table on Standard Drawing E 802-SNGP-16 for stub length and foundation dimensions.

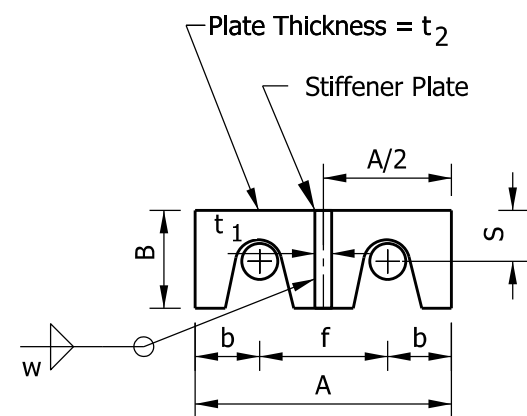
PROCEDURE FOR ASSEMBLY OF BASE CONNECTION:

- A. The contractor shall bolt post to stub. One flat washer on each bolt shall be placed between the top of the keeper plate and bottom of the top base plate. Shim as required to plumb post.
- B. All bolts shall be tightened in accordance to 711.65(d).
- C. Threads at junction with nuts shall be burred using a center punch to prevent nut loosening.

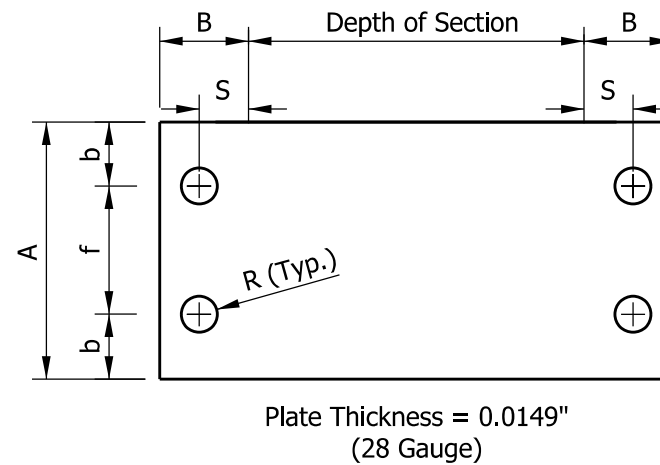
INDIANA DEPARTMENT OF TRANSPORTATION									
WIDE-FLANGE SIGN SUPPORT BASE CONNECTION									
SEPTEMBER 2017									
STANDARD DRAWING NO.	E 802-SNGP-03								
	<table style="width: 100%; border: none;"> <tr> <td style="border: none; padding: 2px;">/s/ <i>David H. Boruff</i></td> <td style="border: none; padding: 2px; text-align: right;">03/17/17</td> </tr> <tr> <td style="border: none; padding: 2px;">DESIGN STANDARDS ENGINEER</td> <td style="border: none; padding: 2px; text-align: right;">DATE</td> </tr> <tr> <td style="border: none; padding: 2px;">/s/ <i>John Leckie</i></td> <td style="border: none; padding: 2px; text-align: right;">04/10/17</td> </tr> <tr> <td style="border: none; padding: 2px;">CHIEF ENGINEER</td> <td style="border: none; padding: 2px; text-align: right;">DATE</td> </tr> </table>	/s/ <i>David H. Boruff</i>	03/17/17	DESIGN STANDARDS ENGINEER	DATE	/s/ <i>John Leckie</i>	04/10/17	CHIEF ENGINEER	DATE
/s/ <i>David H. Boruff</i>	03/17/17								
DESIGN STANDARDS ENGINEER	DATE								
/s/ <i>John Leckie</i>	04/10/17								
CHIEF ENGINEER	DATE								



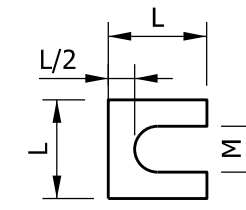
SECTION AT BASE PLATE



BASE PLATE

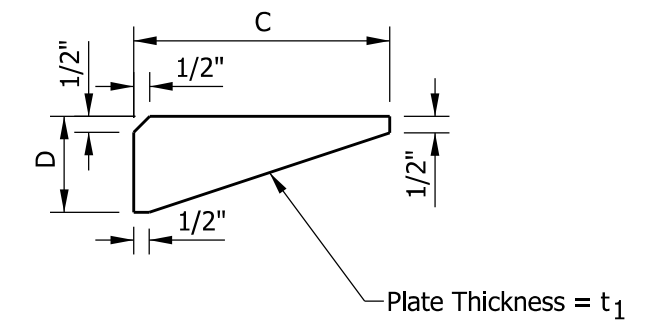


BOLT KEEPER PLATE



Provide 2 - 0.0149" Thick (28 Gauge)
and 2 - 0.0329" Thick (21 Gauge)
Shims per Post.

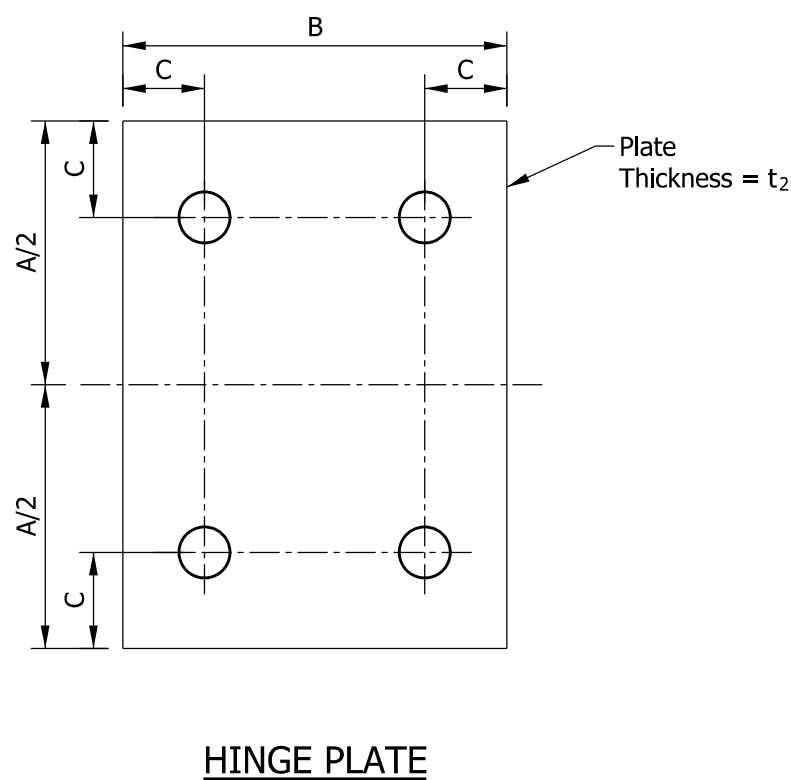
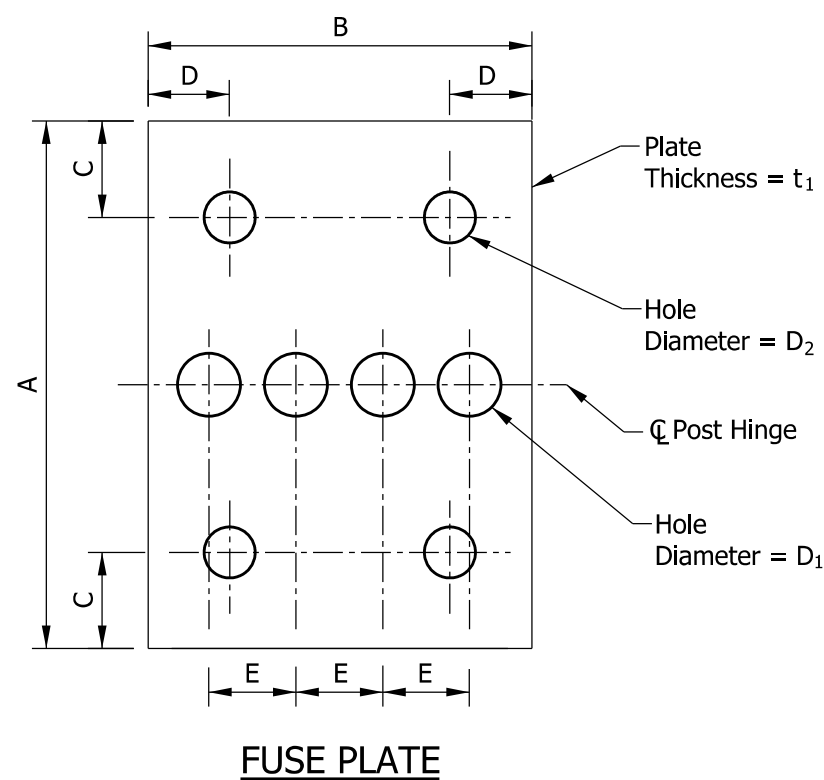
SHIM DETAIL



STIFFENER PLATE

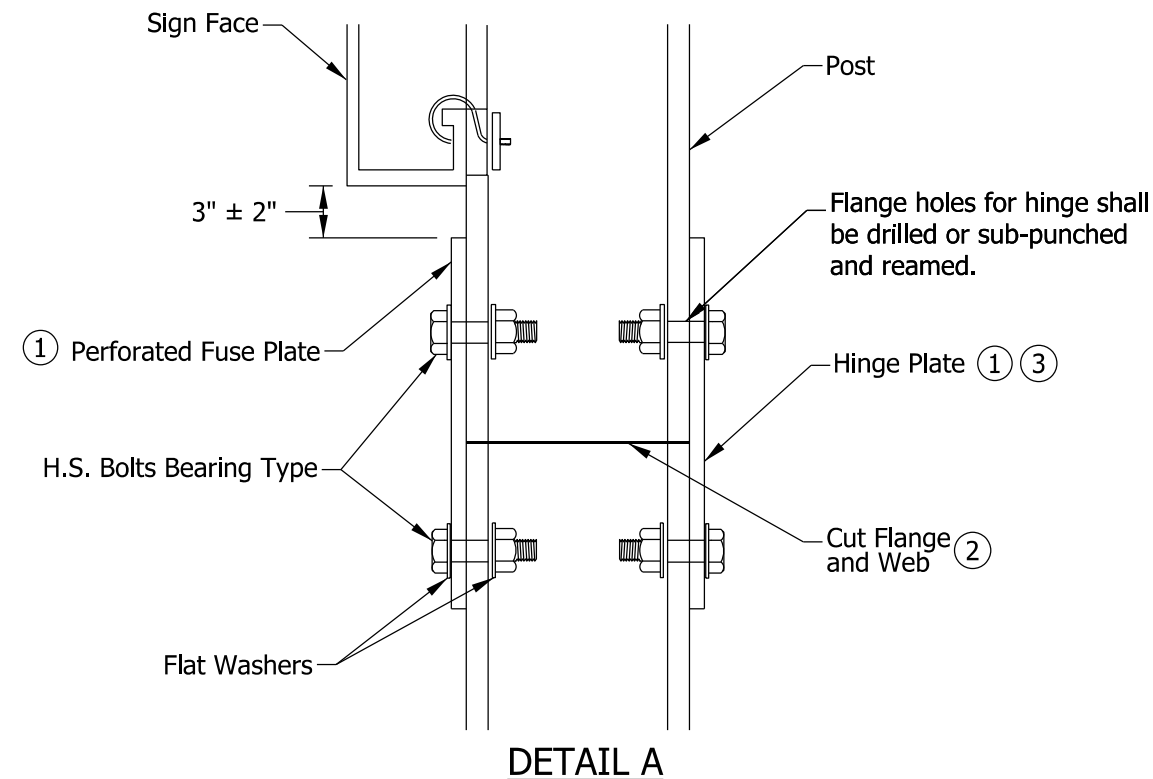
BASE CONNECTION DATA														SHIM		Wt. of Base Plate, Stiffener, & Misc. Hardware Per Post (lb)
Post Size	A	B	C	D	Bolt Dia.	Torque (lbf*in)	R	b	f	S	t ₁	t ₂	w	L	M	
W 6x9	4-1/2"	2"	4-1/2"	2"	1/2"	140 ± 20	9/32"	1"	2-1/2"	1-3/8"	1/2"	1/2"	3/16"	1-3/4"	13/16"	8.43
W 6x12	4-3/4"	2"	5-1/8"	2"	5/8"	270 ± 45	3/8"	1-1/8"	2-1/2"	1-3/16"	1/2"	1/2"	1/4"	1-3/8"	11/16"	9.02
W 8x18	5-3/4"	2-3/16"	6-1/4"	2-3/16"	3/4"	445 ± 75	7/16"	1-1/2"	2-3/4"	1-3/8"	1/2"	5/8"	1/4"	1-3/4"	13/16"	13.71
W 8x24	7"	2-3/8"	8"	2-3/8"	3/4"	445 ± 75	7/16"	1-3/4"	3-1/2"	1-3/8"	1/2"	3/4"	5/16"	2-1/8"	13/16"	20.70
W 10x33	8"	2-3/4"	8"	2-3/4"	1"	580 ± 90	9/16"	2"	4"	1-9/16"	1/2"	3/4"	5/16"	2-3/8"	1-1/16"	26.08
W 12x45	8"	3"	8"	3"	1"	580 ± 90	9/16"	2"	4"	1-9/16"	1/2"	3/4"	5/16"	2-3/4"	1-1/16"	28.35

INDIANA DEPARTMENT OF TRANSPORTATION	
WIDE-FLANGE SIGN SUPPORT BASE CONNECTION DIMENSIONS	
SEPTEMBER 2017	
STANDARD DRAWING NO.	E 802-SNGP-04
	<i>/s/ David H. Boruff</i> 03/17/17 DESIGN STANDARDS ENGINEER DATE
	<i>/s/ John Leckje</i> 04/10/17 CHIEF ENGINEER DATE



NOTES:

- ① The distance from the top of the fuse plate and the hinge plate to the bottom of the sign shall be the same for all posts.
- ② The upper and middle W-Beam sections at the fuse plate/hinge plate connection shall fit flush. Any variation shall not exceed 0.0625 in.
- ③ For assemblies in medians or along undivided highways, perforated fuse plates shall be used on the front and back sides of the upper joint.



FUSE AND HINGE PLATE DATA												
Post Size	A	B	C	D	E	t ₁ fuse plate	t ₂ hinge plate	D ₁	D ₂	Bolt Diameter	Wt. of Fuse Plate & Hinge Plate Per Post (lb)	Bolt Tension (lbs)
W 6x9	4-1/4"	4"	1-1/8"	7/8"	1"	1/4"	1/4"	3/4"	9/16"	1/2"	4.80	12,050
W 6x12	7-1/4"	4"	1-1/4"	7/8"	15/16"	3/8"	3/8"	13/16"	11/16"	5/8"	6.16	19,200
W 8x18	8-1/4"	5-1/4"	1-3/8"	1-1/8"	1-1/4"	3/8"	3/8"	1"	13/16"	3/4"	9.20	28,400
W 8x24	8-1/4"	6-1/2"	1-3/8"	1-1/2"	1-1/2"	1/2"	1/2"	1"	13/16"	3/4"	15.20	28,400
W 10x33	9-1/4"	8"	2"	1-3/4"	1-3/4"	5/8"	5/8"	1-1/8"	1-1/16"	1"	26.20	39,250
W 12x45	11"	8"	2"	1-3/4"	1-3/4"	3/4"	3/4"	1-5/16"	1-1/16"	1"	37.40	51,500

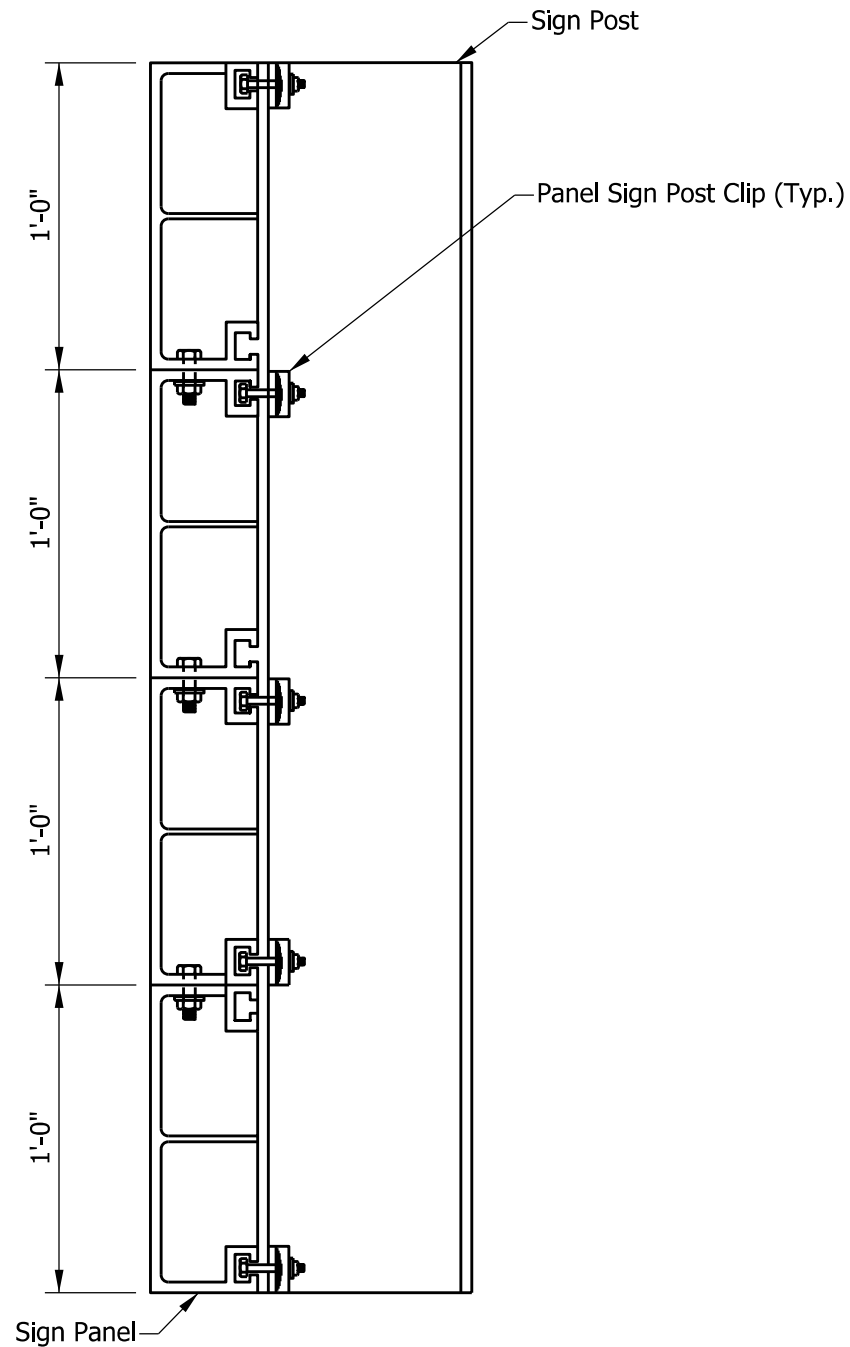
INDIANA DEPARTMENT OF TRANSPORTATION

**WIDE-FLANGE SIGN SUPPORT
FUSE/HINGE PLATE CONNECTION**

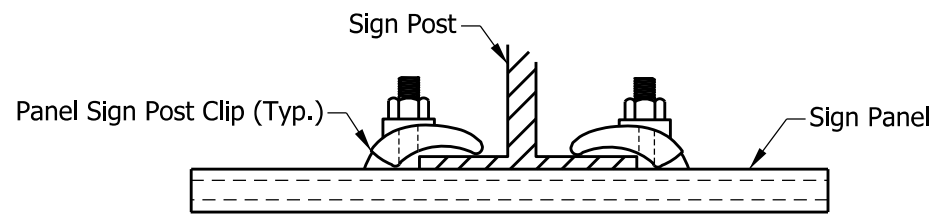
SEPTEMBER 2017

STANDARD DRAWING NO. E 802-SNGP-05

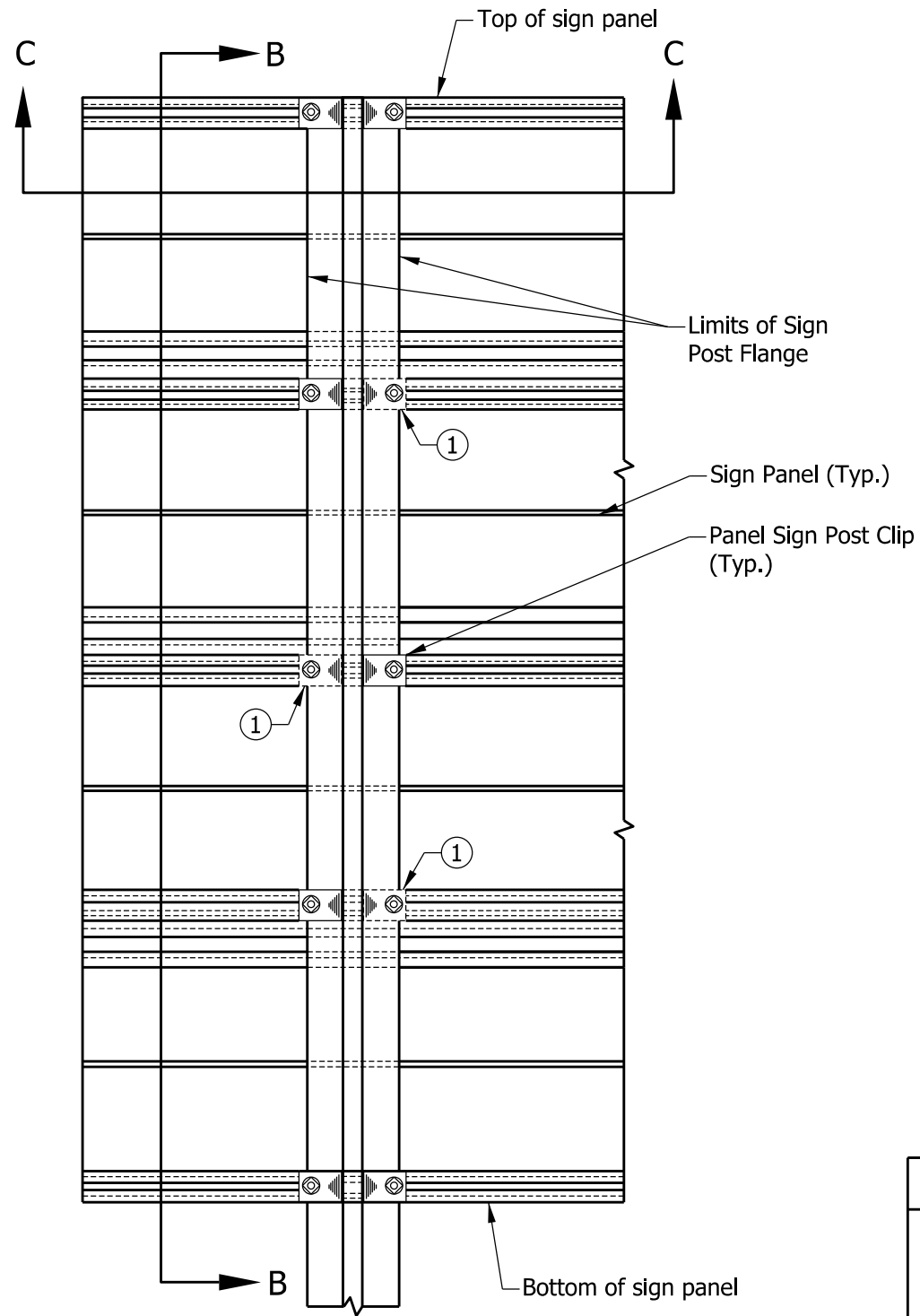
	<table border="0" style="width: 100%;"> <tr> <td style="width: 60%; border-bottom: 1px solid black;">/s/ David H. Boruff</td> <td style="width: 40%; border-bottom: 1px solid black;">03/17/17</td> </tr> <tr> <td>DESIGN STANDARDS ENGINEER</td> <td>DATE</td> </tr> <tr> <td colspan="2" style="padding-top: 20px;">/s/ John Leckie</td> </tr> <tr> <td style="border-bottom: 1px solid black;">CHIEF ENGINEER</td> <td style="border-bottom: 1px solid black;">04/10/17</td> </tr> <tr> <td>CHIEF ENGINEER</td> <td>DATE</td> </tr> </table>	/s/ David H. Boruff	03/17/17	DESIGN STANDARDS ENGINEER	DATE	/s/ John Leckie		CHIEF ENGINEER	04/10/17	CHIEF ENGINEER	DATE
/s/ David H. Boruff	03/17/17										
DESIGN STANDARDS ENGINEER	DATE										
/s/ John Leckie											
CHIEF ENGINEER	04/10/17										
CHIEF ENGINEER	DATE										



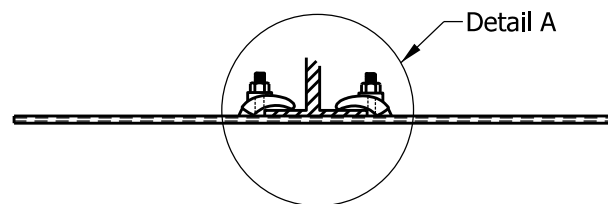
SECTION B-B



DETAIL A



ELEVATION
(View from Back of Sign)



SECTION C-C

NOTES:

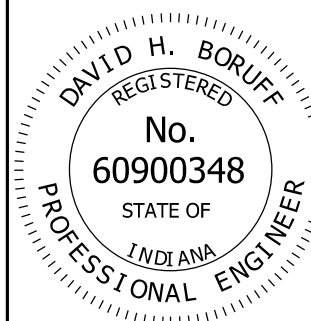
- ① These clips are not required for signs less than 24 ft. in width. See Standard Drawing E 802-SNGP-07 for Post Clip details.

INDIANA DEPARTMENT OF TRANSPORTATION

PANEL SIGN CONNECTION DETAILS

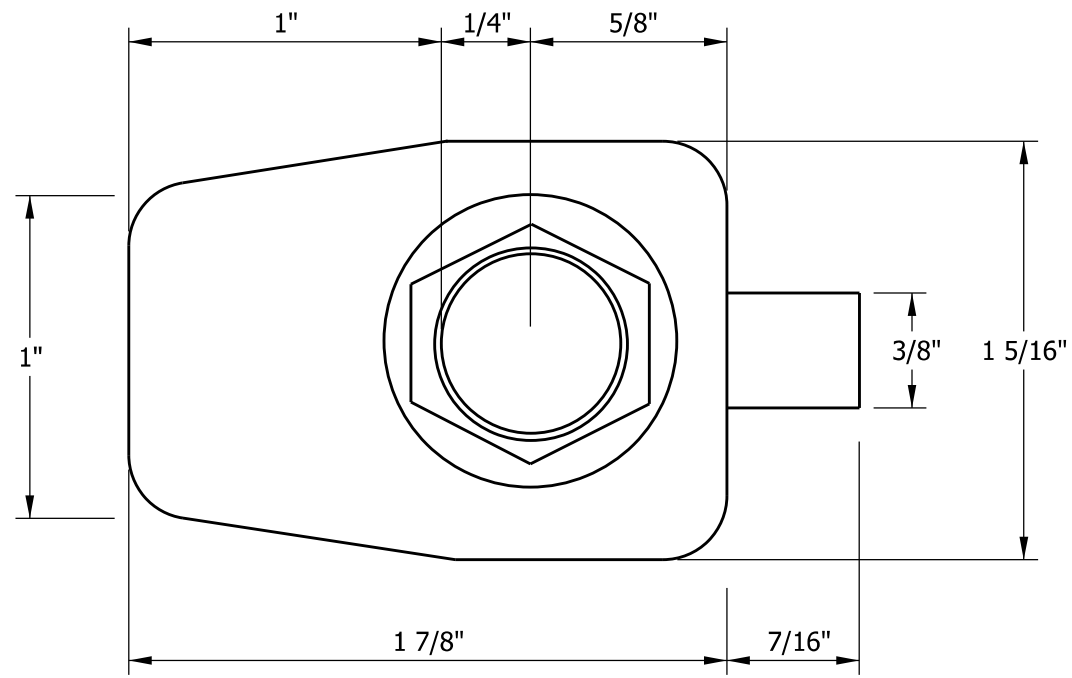
SEPTEMBER 2017

STANDARD DRAWING NO. E 802-SNGP-06

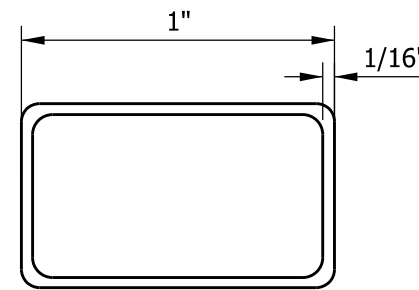


/s/ David H. Boruff 03/17/17
DESIGN STANDARDS ENGINEER DATE

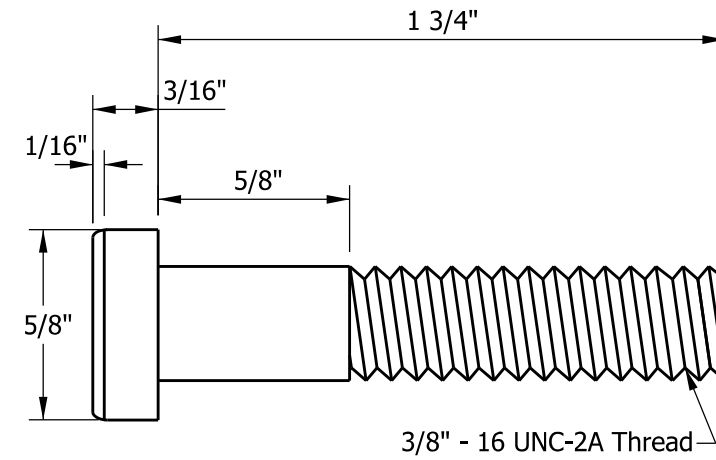
/s/ John Leckie 04/10/17
CHIEF ENGINEER DATE



PLAN VIEW

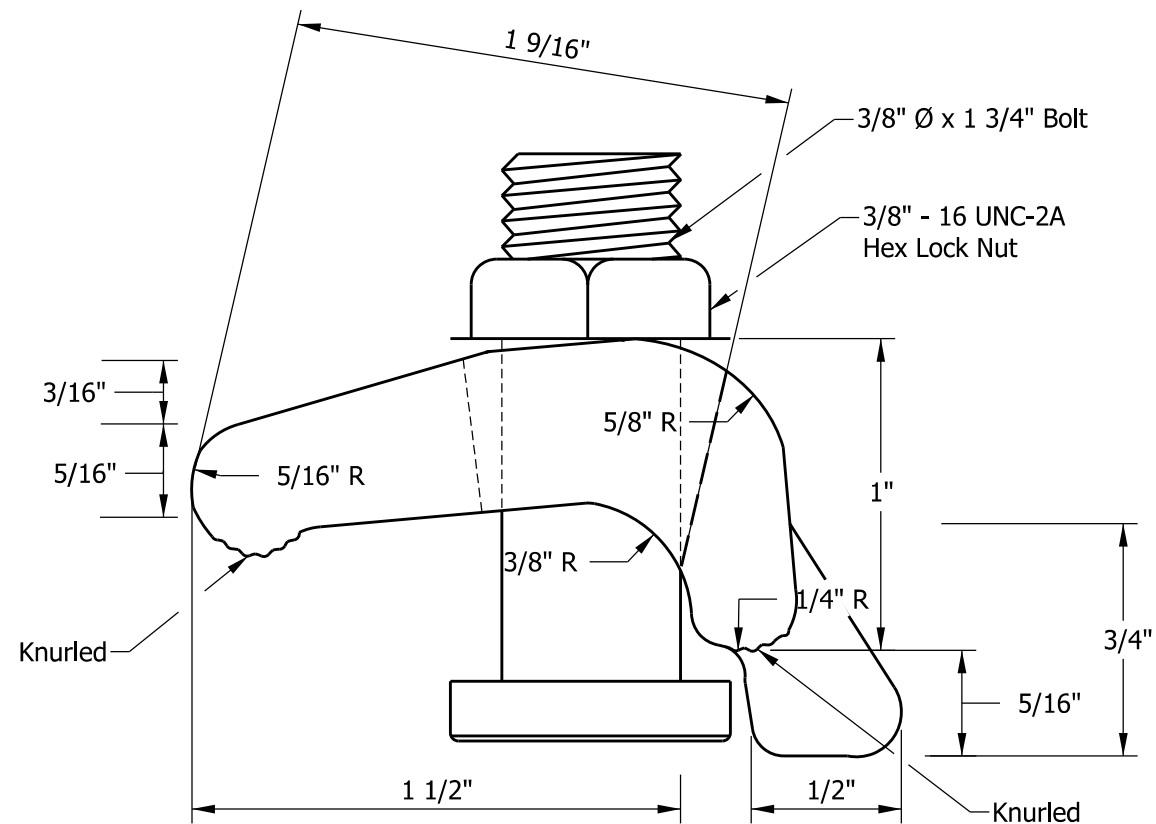


TOP VIEW



SIDE VIEW

POST CLIP BOLT



ELEVATION

INDIANA DEPARTMENT OF TRANSPORTATION	
PANEL SIGN POST CLIP	
SEPTEMBER 2017	
STANDARD DRAWING NO.	E 802-SNGP-07
	<i>/s/ David H. Boruff</i> 03/17/17 DESIGN STANDARDS ENGINEER DATE
	<i>/s/ John Leckie</i> 04/10/17 CHIEF ENGINEER DATE

Sign Width (ft)

Sign Height (ft)

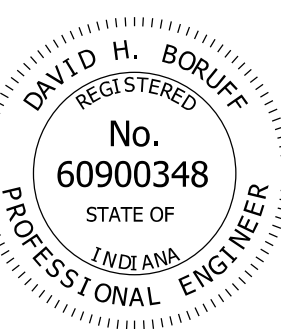
	6	8	10	12	14	16	18	20	22	24	26	28	30
4	2- W6x9	2- W6x9	2- W6x9	2- W6x9	2- W6x9	2- W6x9	2- W6x9	2- W6x9	2- W6x9	2- W6x9	2- W6x9	2- W6x9	2- W6x9
6	2- W6x9	2- W6x9	2- W6x9	2- W6x9	2- W6x9	2- W6x9	2- W6x9	2- W6x9	2- W6x9	2- W6x12	2- W6x12	2- W6x12	2- W6x12
8	2- W6x9	2- W6x9	2- W6x9	2- W6x9	2- W6x9	2- W6x9	2- W8x18	2- W8x18	2- W8x18	2- W8x18	2- W8x18	2- W8x18	2- W8x18
10	2- W6x9	2- W6x9	2- W6x9	2- W8x18	2- W8x18	2- W8x18	2- W8x18	2- W8x18	2- W8x18	2- W8x18	2- W8x18	2- W8x18	2- W8x18
12	2- W6x9	2- W8x18	2- W8x18	2- W8x18	2- W8x18	2- W8x18	2- W8x18	2- W8x18	2- W8x24	2- W8x24	2- W8x24	2- W10x33	2- W10x33
14	2- W8x18	2- W8x18	2- W8x18	2- W8x18	2- W8x18	2- W8x24	2- W8x24	2- W8x24	2- W8x24	2- W10x33	2- W10x33	2- W10x33	2- W10x33
16	2- W8x18	2- W8x18	2- W8x18	2- W8x24	2- W8x24	2- W8x24	2- W10x33	2- W10x33	2- W10x33	2- W10x33	2- W10x33	2- W10x33	2- W10x33
18	2- W8x18	2- W8x18	2- W8x24*	2- W8x24	2- W8x24	2- W10x33	2- W10x33	2- W10x33	2- W10x33	2- W10x33	2- W10x33	2- W10x33	2- W10x33
20	2- W8x18		2- W8x24*	2- W8x24	2- W10x33	2- W10x33	2- W10x33	2- W10x33	2- W10x33	2- W10x33	2- W10x33	2- W12x45	2- W12x45
22			2- W8x24*	2- W10x33	2- W10x33	2- W10x33	2- W10x33	2- W10x33	2- W10x33	2- W12x45	2- W12x45	3- W10x33	3- W10x33
24			2- W10x33*	2- W10x33	2- W10x33	2- W10x33	2- W10x33	2- W10x33	2- W12x45	2- W12x45	3- W10x33	3- W10x33	4- W10x33
26			2- W10x33*	2- W10x33	2- W10x33	2- W10x33	2- W12x45	2- W12x45	3- W10x33	3- W10x33	4- W10x33*	4- W10x33	4- W10x33
28			2- W10x33*	2- W10x33	2- W10x33	2- W12x45	2- W12x45	3- W10x33			4- W10x33*	4- W10x33*	
30			2- W10x33*	2- W10x33	2- W12x45	2- W12x45							

⊗ Standard size not available

* Post spacing shall be 7'-0"

NOTES:

1. Clear height is the distance from the top of foundation to bottom of sign.
2. Table entries are number of posts- post size.
3. Sign dimensions and clear height should be rounded up to the nearest even number.

INDIANA DEPARTMENT OF TRANSPORTATION	
WIDE-FLANGE SIGN SUPPORT POST SELECTION TABLE CLEAR HEIGHT = 8 FT SEPTEMBER 2017	
STANDARD DRAWING NO. E 802-SNGP-08	
	/s/ <i>David H. Boruff</i> 03/17/17 DESIGN STANDARDS ENGINEER DATE
	/s/ <i>John Leckie</i> 04/10/17 CHIEF ENGINEER DATE

Sign Width (ft)

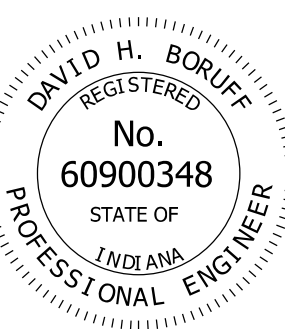
Sign Height (ft)

	6	8	10	12	14	16	18	20	22	24	26	28	30
4	2- W6x9	2- W6x9	2- W6x9	2- W6x9	2- W6x9	2- W6x9	2- W6x9	2- W6x9	2- W6x9	2- W6x9	2- W6x9	2- W6x12	2- W6x12
6	2- W6x9	2- W6x9	2- W6x9	2- W6x9	2- W6x9	2- W6x9	2- W6x12	2- W6x12	2- W6x12	2- W6x12	2- W8x18	2- W8x18	2- W8x18
8	2- W6x9	2- W6x9	2- W6x9	2- W6x12	2- W6x12	2- W6x12	2- W8x18	2- W8x18	2- W8x18	2- W8x18	2- W8x18	2- W8x18	2- W8x18
10	2- W6x9	2- W6x12	2- W6x12	2- W8x18	2- W8x18	2- W8x18	2- W8x18	2- W8x18	2- W8x18	2- W8x18	2- W8x18	2- W8x18	2- W8x18
12	2- W6x12	2- W8x18	2- W8x18	2- W8x18	2- W8x18	2- W8x18	2- W8x18	2- W8x18	2- W8x24	2- W10x33	2- W10x33	2- W10x33	2- W10x33
14	2- W8x18	2- W8x18	2- W8x18	2- W8x18	2- W8x18	2- W8x24	2- W8x24	2- W10x33	2- W10x33	2- W10x33	2- W10x33	2- W10x33	2- W10x33
16	2- W8x18	2- W8x18	2- W8x18	2- W8x24	2- W8x24	2- W8x24	2- W10x33	2- W10x33	2- W10x33	2- W10x33	2- W10x33	2- W10x33	2- W10x33
18	2- W8x18	2- W8x18	2- W8x24*	2- W8x24	2- W10x33	2- W10x33	2- W10x33	2- W10x33	2- W10x33	2- W10x33	2- W10x33	2- W10x33	2- W12x45
20	2- W8x18		2- W8x24*	2- W10x33	2- W10x33	2- W10x33	2- W10x33	2- W10x33	2- W10x33	2- W10x33	2- W12x45	2- W12x45	3- W10x33
22			2- W10x33*	2- W10x33	2- W10x33	2- W10x33	2- W10x33	2- W10x33	2- W10x33	2- W12x45	3- W10x33	3- W10x33	3- W10x33
24			2- W10x33*	2- W10x33	2- W10x33	2- W10x33	2- W10x33	2- W12x45	3- W10x33	3- W10x33	3- W10x33	4- W10x33	4- W10x33
26			2- W10x33*	2- W10x33	2- W10x33	2- W12x45	2- W12x45	3- W10x33	3- W10x33		4- W10x33*	4- W10x33	4- W10x33
28			2- W10x33*	2- W10x33	2- W12x45	2- W12x45	3- W10x33*	3- W10x33			4- W10x33*	4- W10x33	
30			2- W10x33*	2- W10x33	2- W12x45								

⊗ Standard size not available
 * Post spacing shall be 7'-0"

NOTES:

1. Clear height is the distance from the top of foundation to bottom of sign.
2. Table entries are number of posts- post size.
3. Sign dimensions and clear height should be rounded up to the nearest even number.

INDIANA DEPARTMENT OF TRANSPORTATION	
WIDE-FLANGE SIGN SUPPORT POST SELECTION TABLE CLEAR HEIGHT = 10 FT SEPTEMBER 2017	
STANDARD DRAWING NO.	E 802-SNGP-09
	/s/ <i>David H. Boruff</i> 03/17/17 DESIGN STANDARDS ENGINEER DATE
	/s/ <i>John Leckie</i> 04/10/17 CHIEF ENGINEER DATE

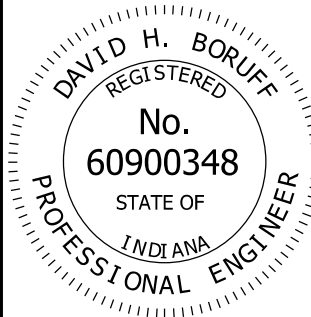
Sign Width (ft)

Sign Height (ft)	Sign Width (ft)												
	6	8	10	12	14	16	18	20	22	24	26	28	30
4	2- W6x9	2- W6x9	2- W6x9	2- W6x9	2- W6x9	2- W6x9	2- W6x9	2- W6x12	2- W6x12	2- W6x12	2- W6x12	2- W6x12	2- W8x18
6	2- W6x9	2- W6x9	2- W6x9	2- W6x12	2- W6x12	2- W6x12	2- W6x12	2- W8x18	2- W8x18	2- W8x18	2- W8x18	2- W8x18	2- W8x18
8	2- W6x9	2- W6x12	2- W6x12	2- W8x18	2- W8x18	2- W8x18	2- W8x18	2- W8x18	2- W8x18	2- W8x18	2- W8x18	2- W8x18	2- W8x18
10	2- W6x12	2- W8x18	2- W8x18	2- W8x18	2- W8x18	2- W8x18	2- W8x18	2- W8x18	2- W8x18	2- W8x24	2- W8x24	2- W10x33	2- W10x33
12	2- W8x18	2- W8x18	2- W8x18	2- W8x18	2- W8x18	2- W8x18	2- W8x24	2- W8x24	2- W10x33	2- W10x33	2- W10x33	2- W10x33	2- W10x33
14	2- W8x18	2- W8x18	2- W8x18	2- W8x18	2- W8x24	2- W8x24	2- W10x33	2- W10x33	2- W10x33	2- W10x33	2- W10x33	2- W10x33	2- W10x33
16	2- W8x18	2- W8x18	2- W8x24*	2- W8x24	2- W10x33	2- W10x33	2- W10x33	2- W10x33	2- W10x33	2- W10x33	2- W10x33	2- W10x33	2- W10x33
18	2- W8x18	⊗	2- W8x24*	2- W10x33	2- W10x33	2- W10x33	2- W10x33	2- W10x33	2- W10x33	2- W10x33	2- W12x45	2- W12x45	3- W10x33
20	⊗	⊗	2- W8x33*	2- W10x33	2- W10x33	2- W10x33	2- W10x33	2- W10x33	2- W12x45	2- W12x45	3- W10x33	3- W10x33	3- W10x33
22	⊗	⊗	2- W10x33*	2- W10x33	2- W10x33	2- W10x33	2- W10x33	2- W12x45	2- W12x45	3- W10x33	3- W10x33	3- W12x45	3- W12x45
24	⊗	⊗	2- W10x33*	2- W10x33	2- W10x33	2- W10x33	2- W12x45	3- W10x33	3- W10x33	3- W10x33	4- W10x33*	4- W10x33	4- W10x33
26	⊗	⊗	2- W10x33*	2- W10x33	2- W10x33	2- W12x45	3- W10x33*	3- W10x33	⊗	⊗	4- W10x33*	4- W10x33	4- W12x45
28	⊗	⊗	2- W10x33*	2- W10x33	2- W12x45	⊗	⊗	⊗	⊗	⊗	⊗	⊗	⊗
30	⊗	⊗	2- W10x33*	2- W12x45	⊗	⊗	⊗	⊗	⊗	⊗	⊗	⊗	⊗

⊗ Standard size not available
 * Post spacing shall be 7'-0"

NOTES:

1. Clear height is the distance from the top of foundation to bottom of sign.
2. Table entries are number of posts- post size.
3. Sign dimensions and clear height should be rounded up to the nearest even number.

INDIANA DEPARTMENT OF TRANSPORTATION	
WIDE-FLANGE SIGN SUPPORT POST SELECTION TABLE CLEAR HEIGHT = 12 FT SEPTEMBER 2017	
STANDARD DRAWING NO. E 802-SNGP-10	
	/s/ <i>David H. Boruff</i> 03/17/17 DESIGN STANDARDS ENGINEER DATE
	/s/ <i>John Leckie</i> 04/10/17 CHIEF ENGINEER DATE

Sign Width (ft)

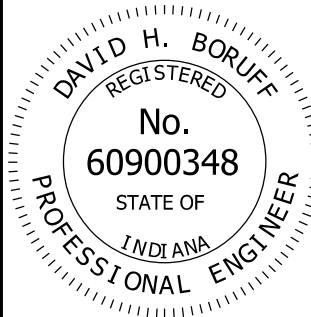
	6	8	10	12	14	16	18	20	22	24	26	28	30
4	2- W6x9	2- W6x9	2- W6x9	2- W6x12	2- W6x12	2- W6x12	2- W6x12	2- W6x12	2- W8x18	2- W8x18	2- W8x18	2- W8x18	2- W8x18
6	2- W6x9	2- W6x12	2- W6x12	2- W8x18	2- W8x18	2- W8x18	2- W8x18	2- W8x18	2- W8x18	2- W8x18	2- W8x18	2- W8x18	2- W8x18
8	2- W6x12	2- W8x18	2- W8x18	2- W8x18	2- W8x18	2- W8x18	2- W8x18	2- W8x18	2- W8x18	2- W8x24	2- W8x24	2- W8x24	2- W8x24
10	2- W8x18	2- W8x18	2- W8x18	2- W8x18	2- W8x18	2- W8x18	2- W8x24	2- W8x24	2- W8x24	2- W10x33	2- W10x33	2- W10x33	2- W10x33
12	2- W8x18	2- W8x18	2- W8x18	2- W8x18	2- W8x24	2- W8x24	2- W8x24	2- W10x33	2- W10x33	2- W10x33	2- W10x33	2- W10x33	2- W10x33
14	2- W8x18	2- W8x18	2- W8x24*	2- W8x24	2- W8x24	2- W10x33	2- W10x33	2- W10x33	2- W10x33	2- W10x33	2- W10x33	2- W10x33	2- W10x33
16	2- W8x18		2- W8x24*	2- W8x24*	2- W10x33	2- W10x33	2- W10x33	2- W10x33	2- W10x33	2- W10x33	2- W10x33	3- W10x33	3- W10x33
18			2- W8x24*	2- W10x33	2- W10x33	2- W10x33	2- W10x33	2- W10x33	2- W10x33	3- W10x33	3- W10x33	3- W10x33	3- W10x33
20			2- W10x33*	2- W10x33	2- W10x33	2- W10x33	2- W10x33	2- W10x33	3- W10x33	3- W10x33	3- W10x33	3- W10x33	4- W10x33
22			2- W10x33*	2- W10x33	2- W10x33	2- W10x33	3- W10x33*	2- W10x33	3- W10x33	3- W10x33	4- W10x33*	4- W10x33	4- W10x33
24			2- W10x33*	2- W10x33	2- W10x33		3- W10x33*	3- W10x33			4- W10x33*	4- W10x33	
26			2- W10x33*	2- W10x33									
28			2- W10x33*										

✕ Standard size not available
 * Post spacing shall be 7'-0"

NOTES:

1. Clear height is the distance from the top of foundation to bottom of sign.
2. Table entries are number of posts- post size.
3. Sign dimensions and clear height should be rounded up to the nearest even number.

Sign Height (ft)

INDIANA DEPARTMENT OF TRANSPORTATION	
WIDE-FLANGE SIGN SUPPORT POST SELECTION TABLE CLEAR HEIGHT = 14 FT SEPTEMBER 2017	
STANDARD DRAWING NO. E 802-SNGP-11	
	/s/ <i>David H. Boruff</i> 03/17/17 DESIGN STANDARDS ENGINEER DATE
	/s/ <i>John Leckie</i> 04/10/17 CHIEF ENGINEER DATE

Sign Height (ft)

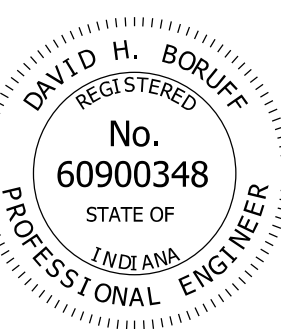
Sign Width (ft)

	6	8	10	12	14	16	18	20	22	24	26	28	30
4	2- W6x12	2- W6x12	2- W6x12	2- W6x12	2- W8x18	2- W8x18	2- W8x18	2- W8x18	2- W8x18	2- W8x18	2- W8x18	2- W8x18	2- W8x18
6	2- W6x12	2- W8x18	2- W8x18	2- W8x18	2- W8x18	2- W8x18	2- W8x18	2- W8x18	2- W8x18	2- W8x18	2- W8x24	2- W8x24	2- W8x24
8	2- W8x18	2- W8x18	2- W8x18	2- W8x18	2- W8x18	2- W8x24	2- W8x24	2- W8x24	2- W8x24	2- W8x24	2- W8x24	2- W10x33	2- W10x33
10	2- W8x18	2- W8x18	2- W8x18	2- W8x24	2- W8x24	2- W8x24	2- W8x24	2- W8x24	2- W10x33	2- W10x33	2- W10x33	2- W10x33	2- W10x33
12	2- W8x18	X	2- W8x24*	2- W8x24	2- W8x24	2- W8x24	2- W10x33	2- W10x33	2- W10x33	2- W10x33	2- W10x33	2- W10x33	2- W10x33
14	X	X	2- W8x24*	2- W8x24	2- W10x33	2- W10x33	2- W10x33	2- W10x33	2- W10x33	2- W10x33	2- W10x33	2- W10x33	3- W10x33
16	X	X	2- W8x24*	2- W10x33	2- W10x33	2- W10x33	2- W10x33	2- W10x33	2- W10x33	2- W10x33	3- W10x33	3- W10x33	3- W10x33
18	X	X	2- W10x33*	2- W10x33	2- W10x33	2- W10x33	2- W10x33	2- W10x33	3- W10x33	3- W10x33	3- W10x33	3- W10x33	4- W10x33
20	X	X	2- W10x33*	2- W10x33	2- W10x33	2- W10x33	3- W10x33*	3- W10x33	3- W10x33	X	4- W10x33*	4- W10x33	4- W10x33
22	X	X	2- W10x33*	2- W10x33	2- W10x33	X	X	X	X	X	X	X	X
24	X	X	2- W10x33*	X	X	X	X	X	X	X	X	X	X

Standard size not available
 * Post spacing shall be 7'-0"

NOTES:

1. Clear height is the distance from the top of foundation to bottom of sign.
2. Table entries are number of posts- post size.
3. Sign dimensions and clear height should be rounded up to the nearest even number.

INDIANA DEPARTMENT OF TRANSPORTATION									
WIDE-FLANGE SIGN SUPPORT POST SELECTION TABLE CLEAR HEIGHT = 16 FT SEPTEMBER 2017									
STANDARD DRAWING NO. E 802-SNGP-12									
	<table style="width: 100%; border-collapse: collapse;"> <tr> <td style="text-align: center; border-bottom: 1px solid black;">/s/ <i>David H. Boruff</i></td> <td style="text-align: center; border-bottom: 1px solid black;">03/17/17</td> </tr> <tr> <td style="text-align: center; font-size: small;">DESIGN STANDARDS ENGINEER</td> <td style="text-align: center; font-size: small;">DATE</td> </tr> <tr> <td style="text-align: center; border-bottom: 1px solid black;">/s/ <i>John Leckie</i></td> <td style="text-align: center; border-bottom: 1px solid black;">04/10/17</td> </tr> <tr> <td style="text-align: center; font-size: small;">CHIEF ENGINEER</td> <td style="text-align: center; font-size: small;">DATE</td> </tr> </table>	/s/ <i>David H. Boruff</i>	03/17/17	DESIGN STANDARDS ENGINEER	DATE	/s/ <i>John Leckie</i>	04/10/17	CHIEF ENGINEER	DATE
/s/ <i>David H. Boruff</i>	03/17/17								
DESIGN STANDARDS ENGINEER	DATE								
/s/ <i>John Leckie</i>	04/10/17								
CHIEF ENGINEER	DATE								

Sign Width (ft)

Sign Height (ft)

	6	8	10	12	14	16	18	20	22	24	26	28	30
4	2- W6x12	2- W8x18	2- W8x18	2- W8x18	2- W8x18	2- W8x18	2- W8x18	2- W8x18	2- W8x18	2- W8x18	2- W8x18	2- W8x18	2- W8x24
6	2- W8x18	2- W8x18	2- W8x18	2- W8x18	2- W8x18	2- W8x18	2- W8x24	2- W8x24	2- W8x24	2- W8x24	2- W8x24	2- W8x24	2- W8x24
8	2- W8x18	2- W8x18	2- W8x18	2- W8x24	2- W8x24	2- W8x24	2- W8x24	2- W8x24	2- W8x24	2- W10x33	2- W10x33	2- W10x33	2- W10x33
10	2- W8x18	⊗	2- W8x24*	2- W8x24	2- W8x24	2- W8x24	2- W8x24	2- W10x33	2- W10x33	2- W10x33	2- W10x33	2- W10x33	2- W10x33
12	⊗	⊗	2- W8x24*	2- W8x24	2- W8x24	2- W10x33	2- W10x33	2- W10x33	2- W10x33	2- W10x33	2- W10x33	2- W10x33	2- W10x33
14	⊗	⊗	2- W8x24*	2- W10x33	2- W10x33	2- W10x33	2- W10x33	2- W10x33	2- W10x33	2- W10x33	3- W10x33	3- W10x33	3- W10x33
16	⊗	⊗	2- W10x33*	2- W10x33	2- W10x33	2- W10x33	2- W10x33	2- W10x33	2- W10x33	2- W10x33	3- W10x33	3- W10x33	4- W10x33
18	⊗	⊗	2- W10x33*	2- W10x33	2- W10x33	2- W10x33	3- W10x33*	3- W10x33	3- W10x33	⊗	4- W10x33*	4- W10x33	4- W10x33
20	⊗	⊗	2- W10x33*	2- W10x33	2- W10x33	⊗	⊗	⊗	⊗	⊗	⊗	⊗	⊗
22	⊗	⊗	2- W10x33*	⊗	⊗	⊗	⊗	⊗	⊗	⊗	⊗	⊗	⊗

⊗ Standard size not available
 * Post spacing shall be 7'-0"

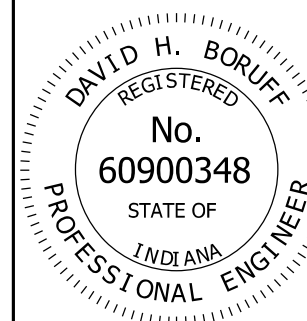
NOTES:

1. Clear height is the distance from the top of foundation to bottom of sign.
2. Table entries are number of posts- post size.
3. Sign dimensions and clear height should be rounded up to the nearest even number.

INDIANA DEPARTMENT OF TRANSPORTATION

WIDE-FLANGE SIGN SUPPORT
 POST SELECTION TABLE
 CLEAR HEIGHT = 18 FT
 SEPTEMBER 2017

STANDARD DRAWING NO. E 802-SNGP-13



/s/ David H. Boruff 03/17/17
 DESIGN STANDARDS ENGINEER DATE

/s/ John Leckie 04/10/17
 CHIEF ENGINEER DATE

Sign Height (ft)

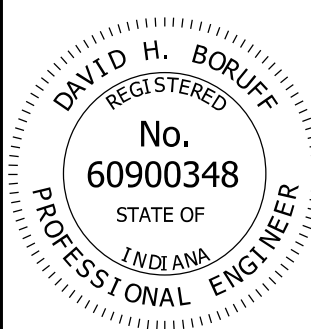
Sign Width (ft)

	6	8	10	12	14	16	18	20	22	24	26	28	30
4	2- W8x18	2- W8x18	2- W8x18	2- W8x18	2- W8x18	2- W8x18	2- W8x18	2- W8x24	2- W8x24	2- W8x24	2- W8x24	2- W8x24	2- W8x24
6	2- W8x18	2- W8x18	2- W8x18	2- W8x24	2- W8x24	2- W8x24	2- W8x24	2- W8x24	2- W8x24	2- W8x24	2- W8x24	2- W8x24	3- W8x24
8	2- W8x18	X	2- W8x24*	2- W8x24	2- W8x24	2- W8x24	2- W8x24	2- W8x24	3- W8x24	3- W8x24	3- W8x24	3- W8x24	4- W8x24
10	X	X	2- W8x24*	2- W8x24	2- W8x24	3- W8x24*	3- W8x24*	3- W8x24	X	X	X	X	X
12	X	X	2- W8x24*	2- W8x24	X	X	X	X	X	X	X	X	X

X Standard size not available
 * Post spacing shall be 7'-0"

NOTES:

1. Clear height is the distance from the top of foundation to bottom of sign.
2. Table entries are number of posts- post size.
3. Sign dimensions and clear height should be rounded up to the nearest even number.

INDIANA DEPARTMENT OF TRANSPORTATION									
WIDE-FLANGE SIGN SUPPORT POST SELECTION TABLE CLEAR HEIGHT = 20 FT SEPTEMBER 2017									
STANDARD DRAWING NO. E 802-SNGP-14									
	<table style="width: 100%; border-collapse: collapse;"> <tr> <td style="width: 70%; border-bottom: 1px solid black; padding: 2px;">/s/ <i>David H. Boruff</i></td> <td style="width: 30%; border-bottom: 1px solid black; padding: 2px;">03/17/17</td> </tr> <tr> <td style="padding: 2px;">DESIGN STANDARDS ENGINEER</td> <td style="padding: 2px;">DATE</td> </tr> <tr> <td style="border-bottom: 1px solid black; padding: 2px;">/s/ <i>John Leckie</i></td> <td style="border-bottom: 1px solid black; padding: 2px;">04/10/17</td> </tr> <tr> <td style="padding: 2px;">CHIEF ENGINEER</td> <td style="padding: 2px;">DATE</td> </tr> </table>	/s/ <i>David H. Boruff</i>	03/17/17	DESIGN STANDARDS ENGINEER	DATE	/s/ <i>John Leckie</i>	04/10/17	CHIEF ENGINEER	DATE
/s/ <i>David H. Boruff</i>	03/17/17								
DESIGN STANDARDS ENGINEER	DATE								
/s/ <i>John Leckie</i>	04/10/17								
CHIEF ENGINEER	DATE								

Sign Width (ft)

	6	8	10	12	14	16	18	20	22	24	26	28	30
4	2- W8x18	2- W8x18	2- W8x18	2- W8x24	2- W8x24	2- W8x24	2- W8x24	2- W8x24	2- W8x24	2- W8x24	2- W8x24	2- W8x24	2- W8x24
6	×	×	2- W8x24*	2- W8x24	2- W8x24	2- W8x24	2- W8x24	2- W8x24	2- W8x24	2- W8x24	3- W8x24	3- W8x24	3- W8x24
8	×	×	2- W8x24*	2- W8x24	2- W8x24	2- W8x24	3- W8x24*	3- W8x24	×	×	×	×	×
10	×	×	2- W8x24*	×	×	×	×	×	×	×	×	×	×

× Standard size not available
 * Post spacing shall be 7'-0"

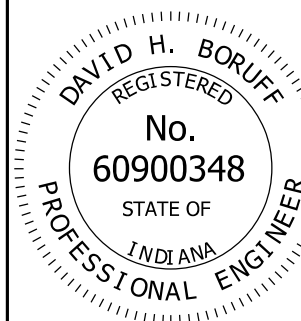
NOTES:

1. Clear height is the distance from the top of foundation to bottom of sign.
2. Table entries are number of posts- post size.
3. Sign dimensions and clear height should be rounded up to the nearest even number.

INDIANA DEPARTMENT OF TRANSPORTATION

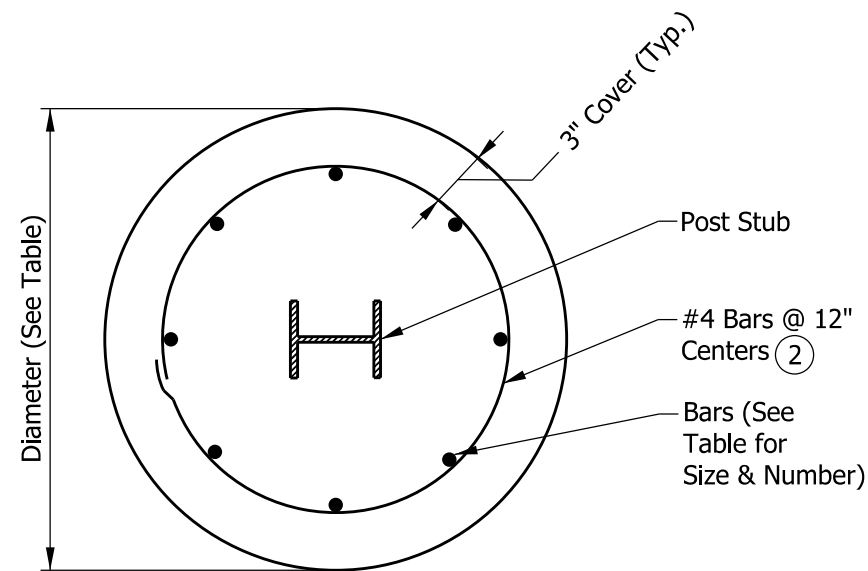
WIDE-FLANGE SIGN SUPPORT
 POST SELECTION TABLE
 CLEAR HEIGHT = 22 FT
 SEPTEMBER 2017

STANDARD DRAWING NO. E 802-SNGP-15



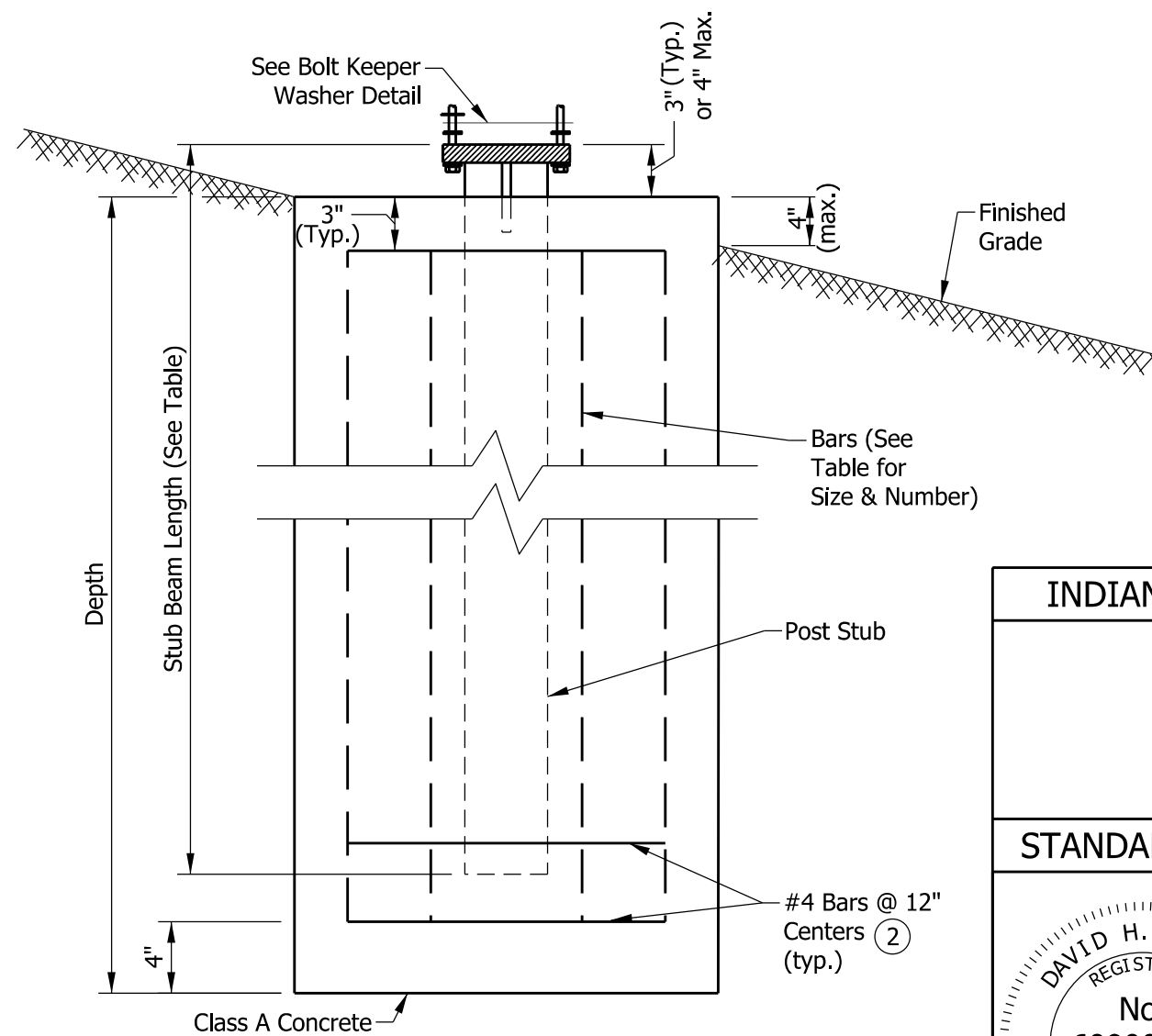
<i>/s/ David H. Boruff</i>	<i>03/17/17</i>
DESIGN STANDARDS ENGINEER	DATE
<i>/s/ John Leckie</i>	<i>04/10/17</i>
CHIEF ENGINEER	DATE

FOUNDATION DATA					
Type	Post Size	Diameter	Depth	Stub Length	Reinforcement Bars
A	W6x9	2'	7'	4'	8 - #8
A	W6x12	2'	7'	4'	8 - #8
B	W8x18	2'	10'	4'	8 - #8
B	W8x24	2'	10'	4'	8 - #8
C	W10x33	2'-6"	12'	5'	10 - #8
C	W12x45	2'-6"	12'	5'	10 - #8



NOTES:

1. All reinforcing shall be grade 60.
- ② At the option of the contractor, D10 spiral wire @ 6" pitch, three flat turns top and one flat turn bottom may be utilized in lieu of #4 bars.
3. Where shop-welded assemblies of foundation stirrup reinforcing bars are used, reinforcing bars shall be in accordance with ASTM Specification A706/706M and holding wires shall be in accordance with ASTM Specification A1064.



INDIANA DEPARTMENT OF TRANSPORTATION	
WIDE-FLANGE SIGN SUPPORT FOUNDATION	
SEPTEMBER 2017	
STANDARD DRAWING NO.	E 802-SNGP-16
	<i>/s/ David H. Boruff</i> 03/17/17 DESIGN STANDARDS ENGINEER DATE
	<i>/s/ John Leckie</i> 04/10/17 CHIEF ENGINEER DATE